

V100



The V100 turbine pan mixer is for the specialized mixing of:

- Wet and dry concrete
- Refractory materials
- Powders
- Plaster
- Shotcrete
- Foundry Materials

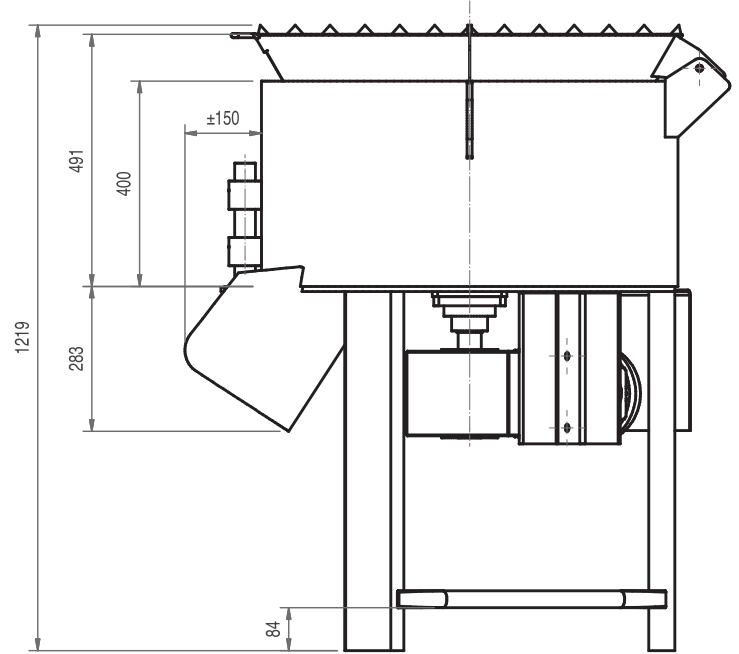
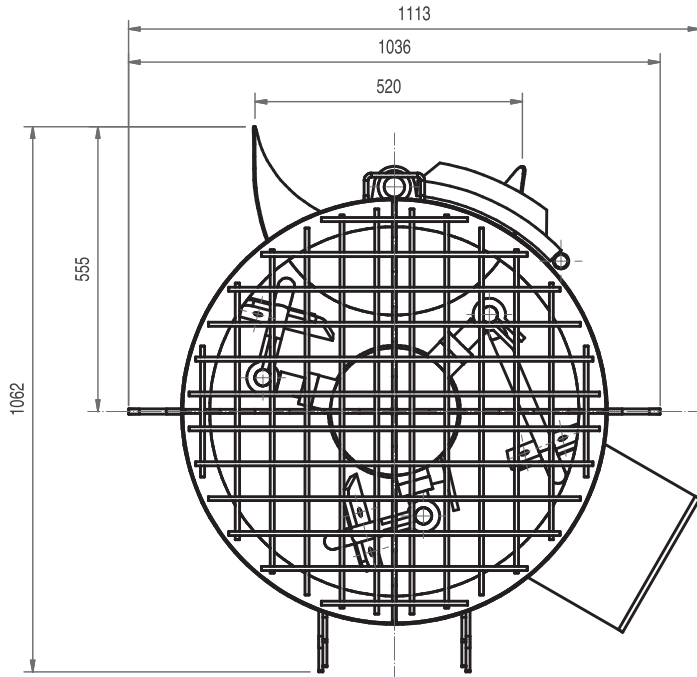
Features

- Heavy duty, robust design with spring loaded mixing arms and tools for extended wear life
- The three bladed sprung mixing star is driven anti-clockwise by a geared motor unit mounted below the pan and protected by a spill plate.
- Pushbutton stop/start with safety grid and limit switch for automatic cut-out.
- The mixers are all supplied (pre-wired) with starter, overload and isolater switch
- Mixer discharge is self-cleaning
- Mixing star has inner wallscaper
- Right angled drive for low discharge height.



Granite Street, Jet Park,
Boksburg, South Africa
Tel: 086100-PMSA (086100-7672)
Tel: +27 (0) 11 397 3754
Fax: +27 (0) 11 397 4721
Website: www.panmixers.co.za
E-mail: sales@panmixers.co.za

V100



Options

- Electro-pneumatic discharge gate
- Cement weighing and batching
- Mobile fitted with pneumatic tyres for site work
- Pan floor and wall are lined with easily replaced wear segments

Machine Specifications	V100
Pan Diameter	800mm
Pan Wall Height	400mm
Dry Filling Capacity	100 litres
Wet mixing Capacity	75 litres
Discharge Height	700mm
Electric Drive	2.2kW

NOTE: All equipment is manufactured by PMSA in South Africa. All work carries a 6-month guarantee against faulty material and workmanship. Our professional and experienced technical support team will provide you with the assistance you require; a comprehensive spare parts facility enables immediate dispatch worldwide.